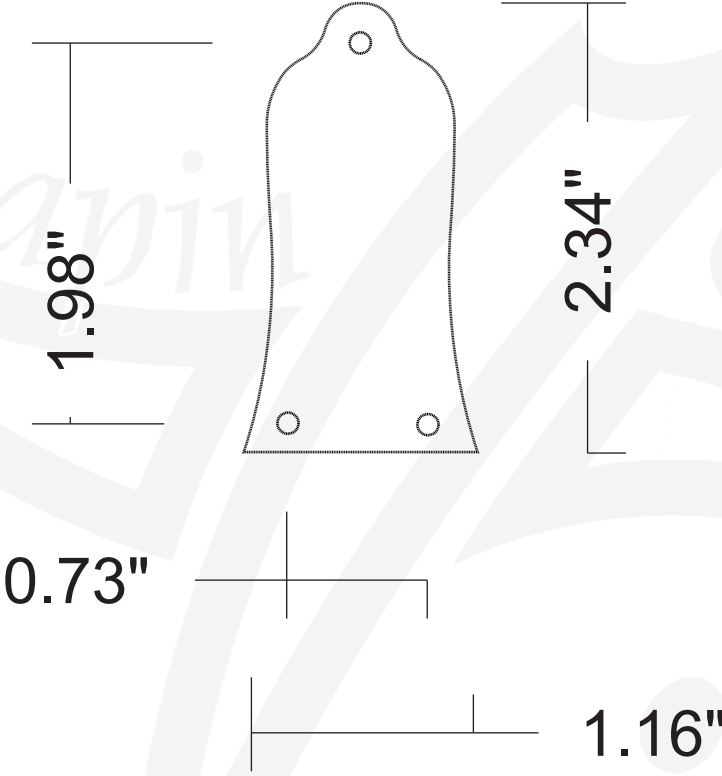
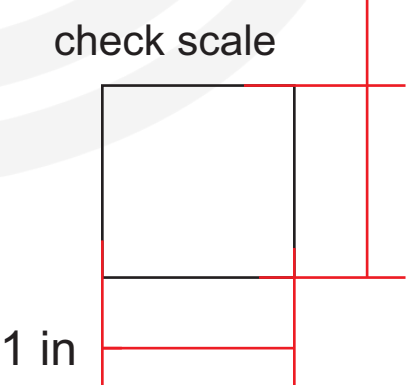
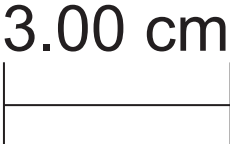
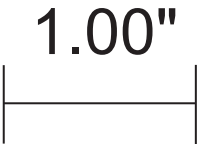


Epiphone® SG, DOT Bell 3 hole style truss rod cover



check scale



Be sure print scaling is turned off when printing this PDF. After printing be sure and confirm that the dimension lines above are true to scale. All template PDF files are the property of Terrapin Guitars and to be used solely for determining the fit.
Terrapin Guitars, P.O.Box 11565, Eugene, OR 97440
www.terrapinguitars.com